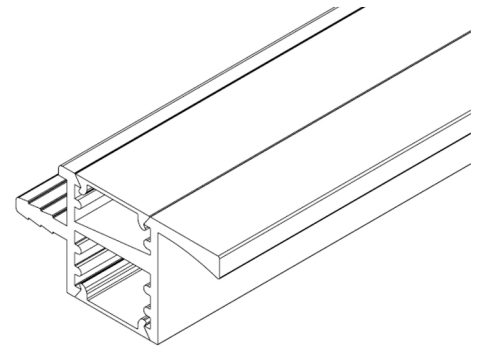


# Manta

## Integrated LED Handleless Profile



### INSTALLATION INSTRUCTIONS

**IMPORTANT:** Please read these instructions before commencing installation and retain for future reference.

#### Product Details:

Product Code	Length	Wattage	LED'S
SE27012C0	361mm	6.4W	78pcs
SE27112C0	411mm	7.4W	90pcs
SE27212C0	461mm	8.4W	102pcs
SE27312C0	561mm	10.3W	126pcs
SE27412C0	761mm	14.3W	174pcs
SE27512C0	861mm	15.4W	198pcs
SE27612C0	961mm	17.3W	222pcs
SE27712C0	1161mm	21.1W	270pcs

#### Important Safety Information

Please read these instructions carefully before attempting to install this product. It is advisable to keep these instructions in a safe place for future reference.

We recommend that you consult a qualified electrician. All electrical installation must be carried out in accordance with current IEE wiring regulations (BS7671).

These products must not be modified, if any modification are made, it may invalidate the warranty and may render the product unsafe. These LED lights operate low voltage (24V).

Do not wire the individual LED light fittings directly to the mains.

- If in doubt installation must be carried out by a qualified electrician.
- Install on smooth flat surface(s) only.
- Do not exceed or stretch the cable length of each LED wire.
- This product is IP20 Rated.

#### Safety Instructions

1. Before commencing installation or maintenance, isolate the main electrical supply for the appropriate circuit at the fuse board.
2. This product is only suitable for connecting to a 240V 50Hz supply, with the use of a Sensio Driver.
3. Never exceed the total output of the LED driver.
4. The lights should be mounted onto a secure surface.
5. Suitable for furniture lighting.
6. When the lamp expires the fitting must be replaced
7. Class III safety extra low voltage (SELV).

#### Waste Electrical & Electronic Equipment (WEEE)

The symbol on the product, or on the document accompanying the product, the crossed out wheellie bin symbol, indicates that this product may not be treated as household waste. Instead it shall be handed over to the applicable collection point for the recycling of electrical and electronic waste.

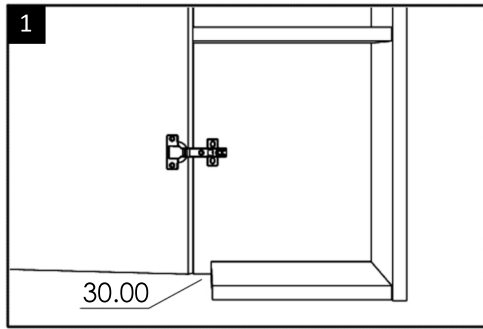


Sensio House, Unit 7, Speedwell Road, Whitwood, Castleford, West Yorkshire, WF10 5PY

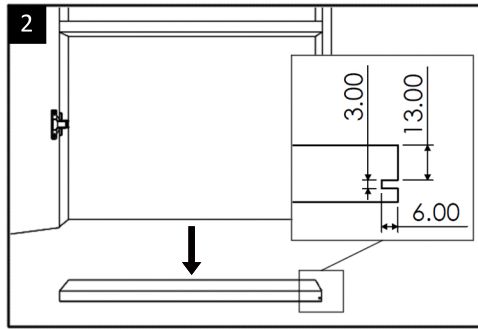
[www.sensio.co.uk](http://www.sensio.co.uk)

Technical drawings for illustration purposes only, Sensio has the right to change any information without prior notice.

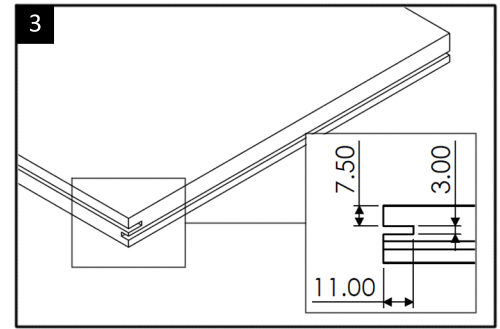
**Installation**



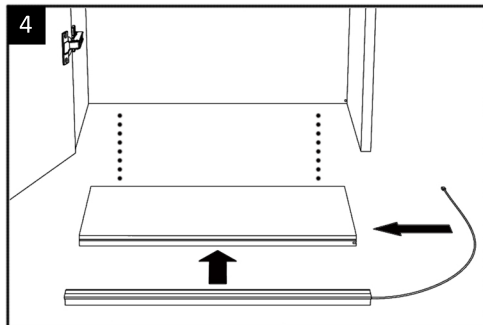
Ensure that the base panel sits at least 30mm shy of the door panel.  
**Note:** You may have to trim the base panel.



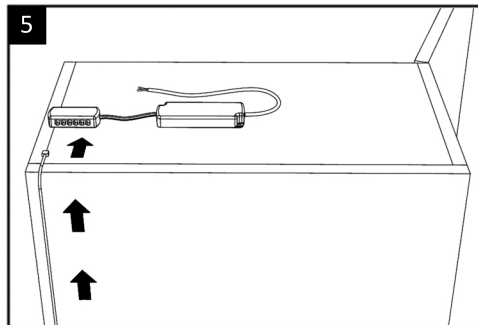
Groove one side of the panel following the dimensions shown in the illustration above. This channel is where the cable will sit.



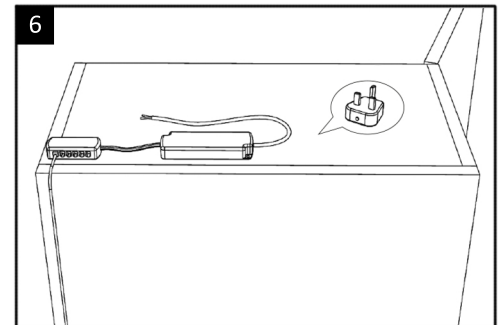
Groove the front of the panel following the dimensions shown in the illustration above. This channel is where the Manta profile will attach.



Push the Manta profile into the channel, ensuring that the cable is bedded into the channel at the side. Then proceed to attach the base panel to the cabinet.



Connect the cable into a Sensio 24V driver. Simply plug the connector into one of the available ports on the distribution block of the driver.



Connect the driver to the mains supply or wire a 13A plug to the driver.

**Maintenance & Care**

- To keep the finish of this product, wipe over with soft cloth periodically.
- Do not use harsh chemical solvents, this may dis-colour or damage the finish.